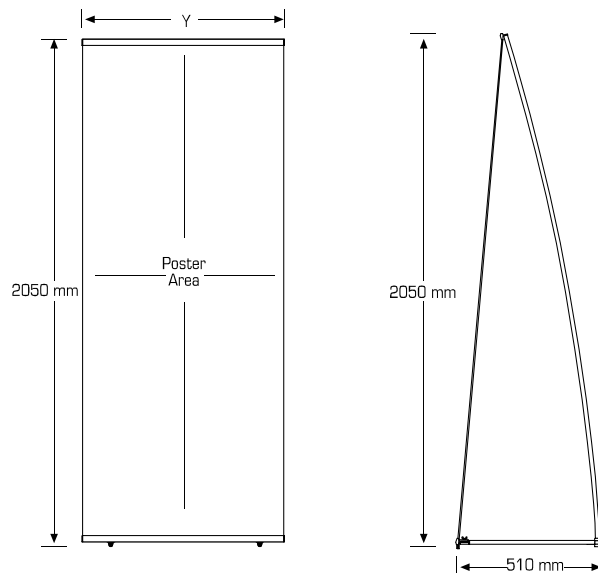


# ECO BANNER ASSEMBLY CONSTRUCTIONS

## content\*

### Quantity

■ Foldable panel	1
■ Counter top	1
■ Shelf	1



\* Check pocket content by comparing this content list, please.

## assembly instructions

