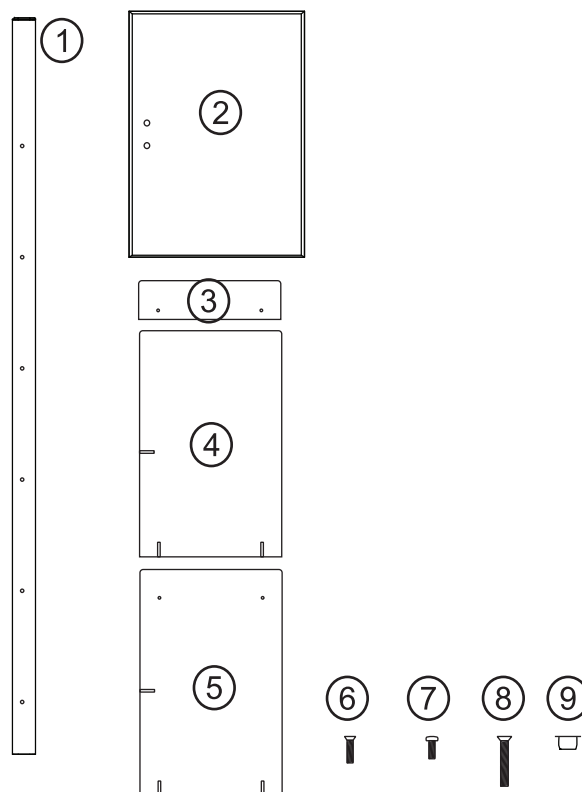


# ZIGZAG BROCHURE STAND

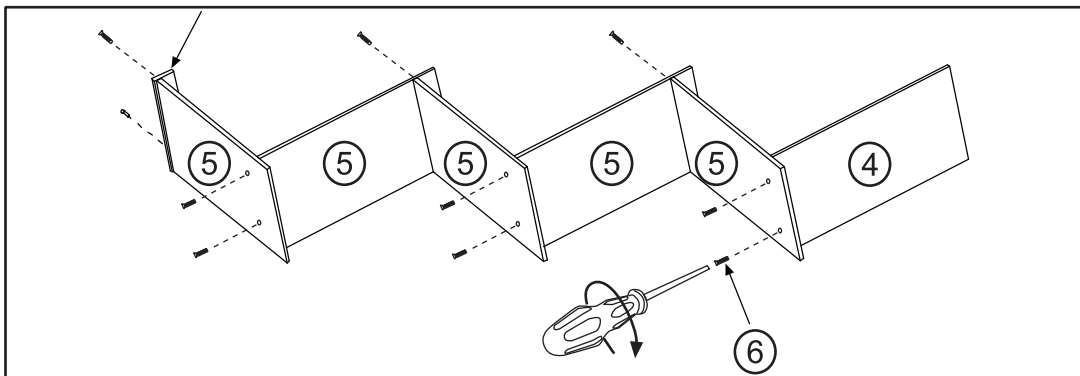
## content\*

### Quantity

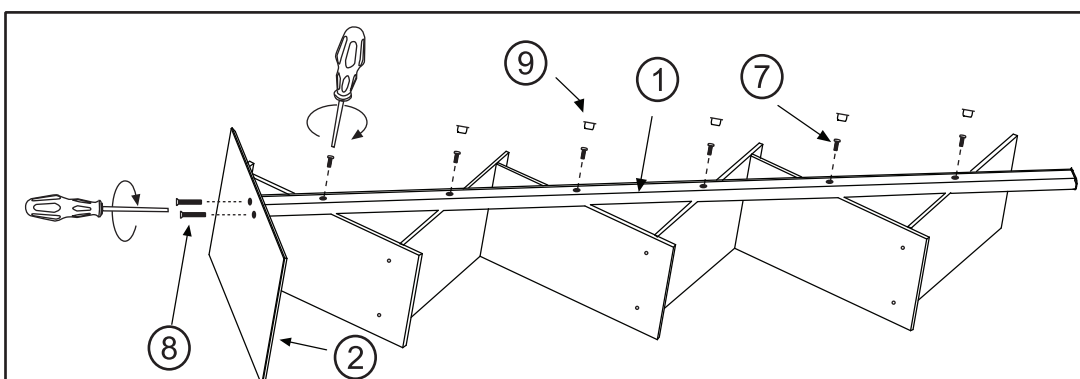
■ Elliptic Profile	①	x 1 pcs
■ Aluminium Base	②	x 1 pcs
■ Acrylic Shelf stopper	③	x 1 pcs
■ Acrylic Shelf	④	x 1 pcs
■ Acrylic Shelf	⑤	x 5 pcs
■ Screw for Shelves Flat Head 4/15	⑥	x 12 pcs
■ Screw for Elliptic Profile Round Head 4/12	⑦	x 6 pcs
■ Screw for Base Flat Head 5/30	⑧	x 2 pcs
■ Screw Cups	⑨	x 6 pcs



## assembly instructions



1) Please screw the acrylic shelf to each other on the floor as it shown on the figure 1.



2) Please screw first the elliptic profile on the shelves and then screw the baseplate to this profile as shown in the figure 2.  
Then please use the plastic endcaps and close the holes.

**Note; Please use a magnetised screwdriver for screwing the acrylic shelves to the elliptic profile to avoid the loss of the screws in to the profile.**